

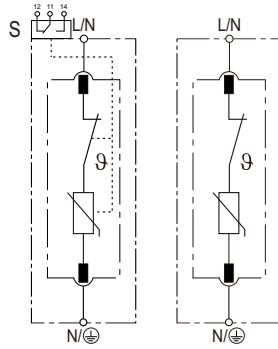


## SLP20-XXX/1(S)

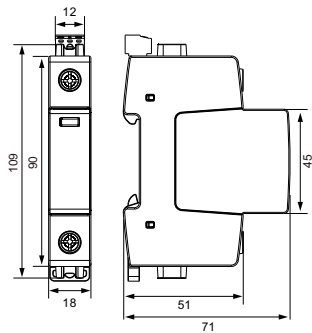
### Internal Configuration

#### Legend

- L Line
- N Neutral
- ⊕ Protective Earth
- S Signalling Contacts Optional



### Dimensions & Packaging

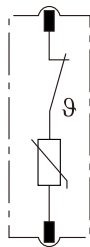


#### Dimensions & Packaging

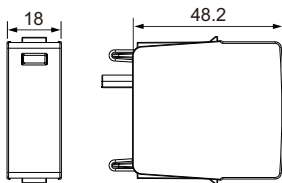
SLP20-XXX/1(S)	75	150	275	320	385	440
Single Unit DIN 43880 Dimension	1 CTN					
Packaging Dimensions (HxWxL)	[270 × 230 × 330 mm]					
Minimum Order Quantity	72 Units					

### Plug Internal Configuration

#### SLP20-XXX/0



### Dimensions & Packaging

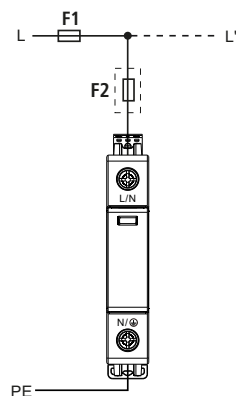


#### Dimensions & Packaging

SLP20-XXX/0	75	150	275	320	385	440
Single Unit DIN 43880 Dimension	1 CTN					
Packaging Dimensions (HxWxL)	[270 × 230 × 330 mm]					
Minimum Order Quantity	96 Units					

### Connection Diagram

#### TN-S, TN-C, TT (Single-phase, 1+0)



[mm]

# Pluggable Multi-Pole SPD

## SLP20-XXX/2(S)

Class I • Class III • Type 2 • Type 3



Location of Use: Sub-Distribution Boards  
 Network Systems: TN-S  
 Mode of Protection: L-PE, N-PE  
 Surge Ratings:  $I_n = 10\text{ kA}$  (8/20  $\mu\text{s}$ )  
 IEC/EN Category: Class II+III / Type 2+3  
 Protective Elements: High Energy MOV  
 Housing: Pluggable Design  
 Compliance: IEC 61643-11:2011  
 EN 61643-11:2012

### Technical Data

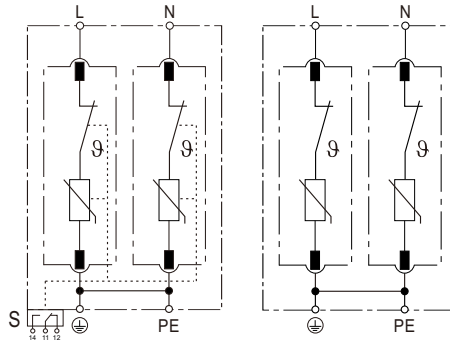
SLP20-XXX/2(S)		75	150	275	320	385	440
<b>IEC Electrical</b>							
Nominal AC Voltage (50/60Hz)	$U_o/U_n$	60 V	120 V	230 V	230 V	230 V	400 V
Maximum Continuous Operating Voltage (AC)	$U_c$	75 V	150 V	275 V	320 V	385 V	440 V
Nominal Discharge Current (8/20 $\mu\text{s}$ )	$I_n$	10 kA	10 kA	10 kA	10 kA	10 kA	10 kA
Maximum Discharge Current (8/20 $\mu\text{s}$ )	$I_{max}$	20 kA	20 kA	20 kA	20 kA	20 kA	20 kA
Open circuit voltage (1.2/50 $\mu\text{s}$ )	$U_{oc}$	20 kV					
Voltage Protection Level	$U_p$	300 V	600 V	1200 V	1400 V	1600 V	1800 V
Residual Current at $U_c$	$I_{PE}$	< 0,5 mA					
Response Time	$t_A$	< 25 ns					
Back-Up Fuse (max)		63 A gL / gG					
Short-Circuit Current Rating (AC)	$I_{SCCR}$	10 kA					
TOV Withstand 5s	$U_T$	90V	180V	335V	335V	335V	580V
TOV 120min	$U_T$	115V	230V	440V	440V	440V	765V
	mode	Withstand	Withstand	Safe Fail	Safe Fail	Safe Fail	Safe Fail
Number of Ports		1					
<b>Mechanical &amp; Environmental</b>							
Operating Temperature Range	$T_a$	-40 °F to +158 °F [-40 °C to +70 °C]					
Permissible Operating Humidity	RH	5%...95%					
Atmospheric pressure and altitude		80k Pa ... 106k Pa / -500 m ... 2000 m					
Terminal Screw Torque	$M_{max}$	39.9 lbf-in [4.5 Nm]					
Conductor Cross Section (max)		2 AWG (Solid, Stranded) / 4 AWG (Flexible) 35 mm <sup>2</sup> (Solid, Stranded) / 25 mm <sup>2</sup> (Flexible)					
Mounting		35 mm DIN Rail, EN 60715					
Degree of Protection		IP 20 (built-in)					
Housing Material		Thermoplastic: Extinguishing Degree UL 94 V-0					
Thermal Protection		Yes					
Operating State / Fault Indication		Green ok / Red defect					
Remote Contacts (RC)		Optional					
RC Switching Capacity		AC: 250V/0.5A; DC: 250V/0.1A; 125V/0.2A; 75V/0.5A					
RC Conductor Cross Section (max)		16 AWG (Solid) / 1.5 mm <sup>2</sup> (Solid)					
<b>Order Information</b>							
Ordering Code		75	150	275	320	385	440
SLP20-XXX/2		2007521	2015021	2027521	2032021	2038521	2044021
SLP20-XXX/2S (with remote contacts)		2007522	2015022	2027522	2032022	2038522	2044022
SLP20-XXX/0 (spare modules)		2007501	2015001	2027501	2032001	2038501	2044001

## SLP20-XXX/2(S)

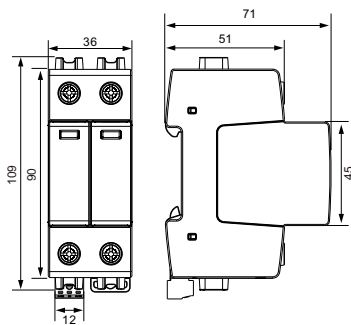
### Internal Configuration

#### Legend

- L Line
- N Neutral
- ⊕/PE Protective Earth
- S Signalling Contacts Optional



### Dimensions & Packaging

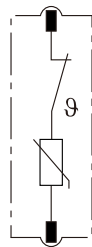


#### Dimensions & Packaging

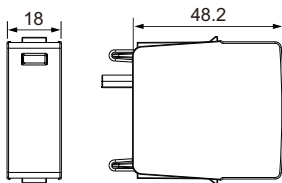
SLP20-XXX/2(S)	75	150	275	320	385	440
Single Unit DIN 43880 Dimension	1 CTN					
Packaging Dimensions (HxWxL)	[270 × 230 × 330 mm]					
Minimum Order Quantity	42 Units					

### Plug Internal Configuration

#### SLP20-XXX/0



### Dimensions & Packaging

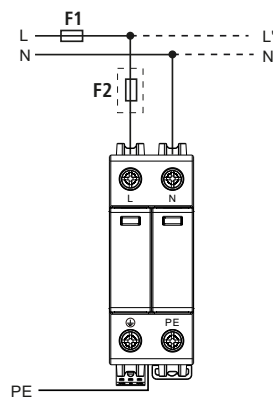


#### Dimensions & Packaging

SLP20-XXX/0	75	150	275	320	385	440
Single Unit DIN 43880 Dimension	1 CTN					
Packaging Dimensions (HxWxL)	[270 × 230 × 330 mm]					
Minimum Order Quantity	96 Units					

### Connection Diagram

#### TN-S (Single-phase, 2+0)



[mm]

# Pluggable Multi-Pole SPD SLP20-XXX/3(S)

Class I • Class III • Type 2 • Type 3



Location of Use: Sub-Distribution Boards  
 Network Systems: TN-C  
 Mode of Protection: L-PEN  
 Surge Ratings:  $I_n = 10\text{ kA}$  (8/20  $\mu\text{s}$ )  
 IEC/EN Category: Class II+III / Type 2+3  
 Protective Elements: High Energy MOV  
 Housing: Pluggable Design  
 Compliance: IEC 61643-11:2011  
 EN 61643-11:2012

## Technical Data

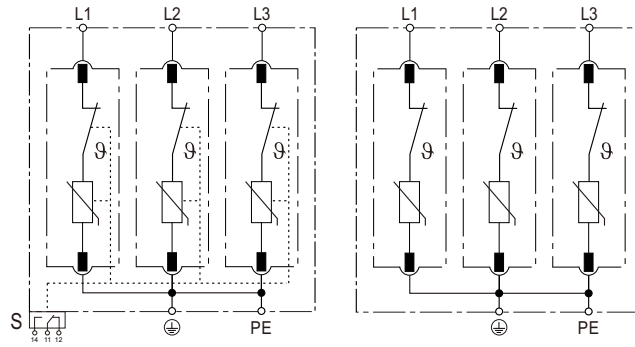
SLP20-XXX/3(S)		150	275	320	385	440
<b>IEC Electrical</b>						
Nominal AC Voltage (50/60Hz)	$U_o/U_n$	120 V	230 V	230 V	230 V	400 V
Maximum Continuous Operating Voltage (AC)	$U_c$	150 V	275 V	320 V	385 V	440 V
Nominal Discharge Current (8/20 $\mu\text{s}$ )	$I_n$	10 kA	10 kA	10 kA	10 kA	10 kA
Maximum Discharge Current (8/20 $\mu\text{s}$ )	$I_{max}$	20 kA	20 kA	20 kA	20 kA	20 kA
Open circuit voltage (1.2/50 $\mu\text{s}$ )	$U_{oc}$			20 kV		
Voltage Protection Level	$U_p$	600 V	1200 V	1400 V	1600 V	1800 V
Residual Current at $U_c$	$I_{PE}$			< 0,5 mA		
Response Time	$t_A$			< 25 ns		
Back-Up Fuse (max)				63 A gL / gG		
Short-Circuit Current Rating (AC)	$I_{SCCR}$			10 kA		
TOV Withstand 5s	$U_T$	180V	335V	335V	335V	580V
TOV 120min	$U_T$	230V	440V	440V	440V	765V
	mode	Withstand	Safe Fail	Safe Fail	Safe Fail	Safe Fail
Number of Ports				1		
<b>Mechanical &amp; Environmental</b>						
Operating Temperature Range	$T_a$	-40 °F to +158 °F [-40 °C to +70 °C]				
Permissible Operating Humidity	RH	5%...95%				
Atmospheric pressure and altitude		80k Pa ... 106k Pa / -500 m ... 2000 m				
Terminal Screw Torque	$M_{max}$	39.9 lbf-in [4.5 Nm]				
Conductor Cross Section (max)		2 AWG (Solid, Stranded) / 4 AWG (Flexible) 35 mm <sup>2</sup> (Solid, Stranded) / 25 mm <sup>2</sup> (Flexible)				
Mounting		35 mm DIN Rail, EN 60715				
Degree of Protection		IP 20 (built-in)				
Housing Material		Thermoplastic: Extinguishing Degree UL 94 V-0				
Thermal Protection		Yes				
Operating State / Fault Indication		Green ok / Red defect				
Remote Contacts (RC)		Optional				
RC Switching Capacity		AC: 250V/0.5A; DC: 250V/0.1A; 125V/0.2A; 75V/0.5A				
RC Conductor Cross Section (max)		16 AWG (Solid) / 1.5 mm <sup>2</sup> (Solid)				
<b>Order Information</b>						
Ordering Code		150	275	320	385	440
SLP20-XXX/3		2015031	2027531	2032031	2038531	2044031
SLP20-XXX/3S (with remote contacts)		2015032	2027532	2032032	2038532	2044032
SLP20-XXX/0 (spare modules)		2015001	2027501	2032001	2038501	2044001

## SLP20-XXX/3(S)

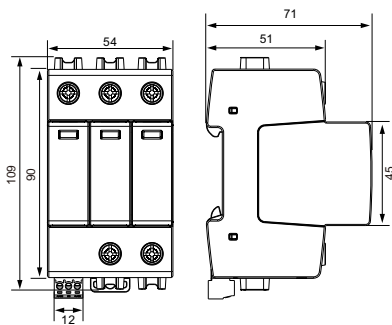
### Internal Configuration

#### Legend

- L Line
- N Neutral
- ⊕/PE Protective Earth
- S Signalling Contacts Optional



### Dimensions & Packaging

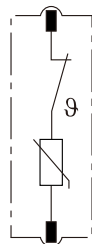


#### Dimensions & Packaging

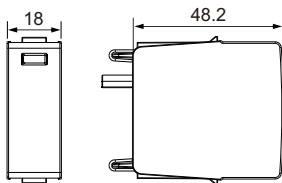
SLP20-XXX/3(S)	150	275	320	385	440
Single Unit DIN 43880 Dimension	1 CTN				
Packaging Dimensions (HxWxL)	[270 × 230 × 330 mm]				
Minimum Order Quantity	30 Units				

### Plug Internal Configuration

#### SLP20-XXX/0



### Dimensions & Packaging

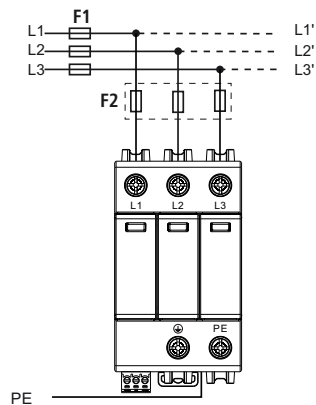


#### Dimensions & Packaging

SLP20-XXX/0	150	275	320	385	440
Single Unit DIN 43880 Dimension	1 CTN				
Packaging Dimensions (HxWxL)	[270 × 230 × 330 mm]				
Minimum Order Quantity	96 Units				

### Connection Diagram

#### TN-C (Three-phase, 3+0)



[mm]

# Pluggable Multi-Pole SPD SLP20-XXX/4(S)

Class I • Class III • Type 2 • Type 3



Location of Use: Sub-Distribution Boards  
 Network Systems: TN-S  
 Mode of Protection: L-PE, N-PE  
 Surge Ratings:  $I_n = 10\text{ kA}$  (8/20  $\mu\text{s}$ )  
 IEC/EN Category: Class II+III / Type 2+3  
 Protective Elements: High Energy MOV  
 Housing: Pluggable Design  
 Compliance: IEC 61643-11:2011  
 EN 61643-11:2012

## Technical Data

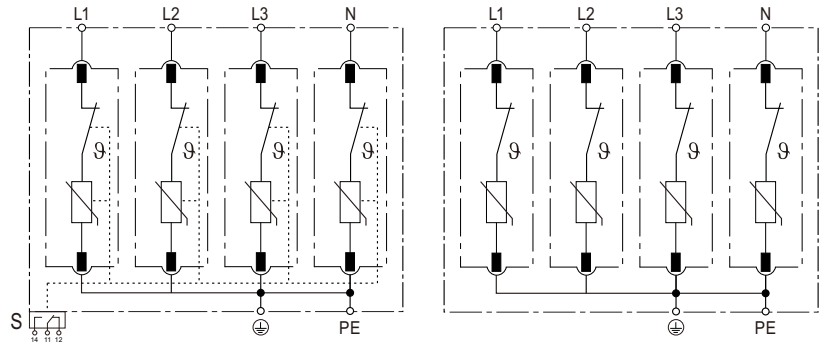
SLP20-XXX/4(S)		150	275	320	385	440
<b>IEC Electrical</b>						
Nominal AC Voltage (50/60Hz)	$U_o/U_n$	120 V	230 V	230 V	230 V	400 V
Maximum Continuous Operating Voltage (AC)	$U_c$	150 V	275 V	320 V	385 V	440 V
Nominal Discharge Current (8/20 $\mu\text{s}$ )	$I_n$	10 kA	10 kA	10 kA	10 kA	10 kA
Maximum Discharge Current (8/20 $\mu\text{s}$ )	$I_{max}$	20 kA	20 kA	20 kA	20 kA	20 kA
Open circuit voltage (1.2/50 $\mu\text{s}$ )	$U_{oc}$			20 kV		
Voltage Protection Level	$U_p$	600 V	1200 V	1400 V	1600 V	1800 V
Residual Current at $U_c$	$I_{PE}$			< 0,5mA		
Response Time	$t_A$			< 25 ns		
Back-Up Fuse (max)				63 A gL / gG		
Short-Circuit Current Rating (AC)	$I_{SCCR}$			10kA		
TOV Withstand 5s	$U_T$	180V	335V	335V	335V	580V
TOV 120min	$U_T$	230V	440V	440V	440V	765V
	mode	Withstand	Safe Fail	Safe Fail	Safe Fail	Safe Fail
Number of Ports				1		
<b>Mechanical &amp; Environmental</b>						
Operating Temperature Range	$T_a$	-40 °F to +158 °F [-40 °C to +70 °C]				
Permissible Operating Humidity	RH	5%...95%				
Atmospheric pressure and altitude		80k Pa ... 106k Pa / -500 m ... 2000 m				
Terminal Screw Torque	$M_{max}$	39.9 lbf-in [4.5Nm]				
Conductor Cross Section (max)		2 AWG (Solid, Stranded) / 4 AWG (Flexible) 35 mm <sup>2</sup> (Solid, Stranded) / 25 mm <sup>2</sup> (Flexible)				
Mounting		35 mm DIN Rail, EN 60715				
Degree of Protection		IP 20 (built-in)				
Housing Material		Thermoplastic: Extinguishing Degree UL 94 V-0				
Thermal Protection		Yes				
Operating State / Fault Indication		Green ok / Red defect				
Remote Contacts (RC)		Optional				
RC Switching Capacity		AC: 250V/0.5A; DC: 250V/0.1A; 125V/0.2A; 75V/0.5A				
RC Conductor Cross Section (max)		16 AWG (Solid) / 1.5 mm <sup>2</sup> (Solid)				
<b>Order Information</b>						
Ordering Code		150	275	320	385	440
SLP20-XXX/4		2015041	2027541	2032041	2038541	2044041
SLP20-XXX/4S (with remote contacts)		2015042	2027542	2032042	2038542	2044042
SLP20-XXX/0 (spare modules)		2015001	2027501	2032001	2038501	2044001

## SLP20-XXX/4(S)

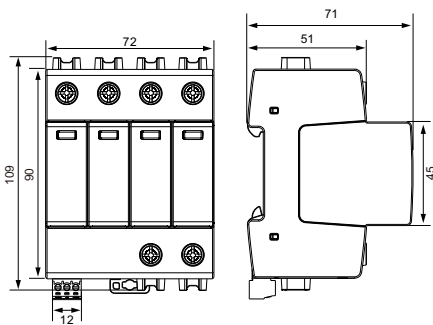
### Internal Configuration

#### Legend

- L Line
- N Neutral
- ⊕/PE Protective Earth
- S Signalling Contacts Optional



### Dimensions & Packaging

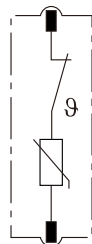


#### Dimensions & Packaging

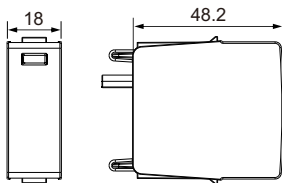
SLP20-XXX/4(S)	150	275	320	385	440
Single Unit DIN 43880 Dimension	1 CTN				
Packaging Dimensions (HxWxL)	[270 × 230 × 330 mm]				
Minimum Order Quantity	24 Units				

### Plug Internal Configuration

#### SLP20-XXX/0



### Dimensions & Packaging

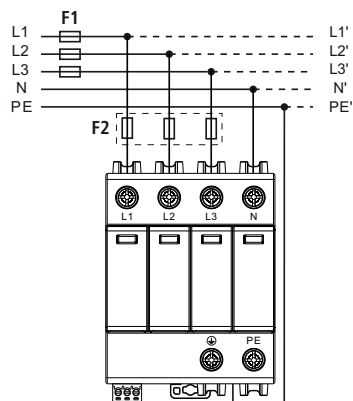


#### Dimensions & Packaging

SLP20-XXX/0	150	275	320	385	440
Single Unit DIN 43880 Dimension	1 CTN				
Packaging Dimensions (HxWxL)	[270 × 230 × 330 mm]				
Minimum Order Quantity	96 Units				

### Connection Diagram

#### TN-S (Three-phase, 4+0)



[mm]



# Pluggable Multi-Pole SPD SLP20-XXX/1(S)+1

Class I • Class III • Type 2 • Type 3



Location of Use: Sub-Distribution Boards  
 Network Systems: TT, TN-S  
 Mode of Protection: L-N, N-PE  
 Surge Ratings:  $I_n = 10\text{ kA}$  (8/20  $\mu\text{s}$ )  
 IEC/EN Category: Class II+III / Type 2+3  
 Protective Elements: High Energy MOV and GDT  
 Housing: Pluggable Design  
 Compliance: IEC 61643-11:2011  
 EN 61643-11:2012

## Technical Data

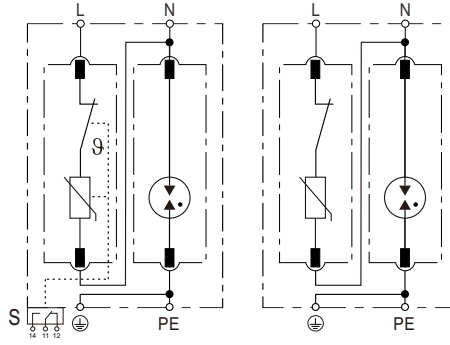
SLP20-XXX/1(S)+1	75	150	275	320	385	440	
<b>IEC Electrical</b>							
Nominal AC Voltage (50/60Hz)	120 V	230 V	230 V	230 V	230 V	400 V	
Maximum Continuous Operating Voltage	(L - N) $U_c$ (N - PE) $U_c$	150 V	275 V	320 V	385 V	440 V	
Nominal Discharge Current (8/20 $\mu\text{s}$ )	(L - N) / (N - PE) $I_n$			10 kA / 10 kA			
Maximum Discharge Current (8/20 $\mu\text{s}$ )	(L - N) / (N - PE) $I_{max}$			20 kA / 20 kA			
Open circuit voltage (1.2/50 $\mu\text{s}$ )	$U_{oc}$			20 kV			
Voltage Protection Level	(L - N) / (N - PE) $U_p$	0.3kV / 1.0kV	0.6kV / 1.0kV	1.2kV / 1.0kV	1.4kV / 1.0kV	1.6kV / 1.0kV	1.8kV / 1.0kV
Follow Current Interrupt Rating	(N-PE) $I_{fi}$			100A <sub>RMS</sub>			
Residual Current at $U_c$	$I_{PE}$			none			
Response Time	(L-N)/(N-PE) $t_A$			< 25 ns / < 100 ns			
Back-Up Fuse (max)				63 A gL / gG			
Short-Circuit Current Rating (AC)	(L - N) $I_{SCCR}$			10 kA			
TOV Withstand 5s	(L - N) $U_T$	90V	180V	335V	335V	335V	580V
TOV 120min	(L - N) $U_T$	115V	230V	440V	440V	440V	765V
	mode	Withstand	Withstand	Safe Fail	Safe Fail	Safe Fail	Safe Fail
TOV Withstand 200ms	(N-PE) $U_T$			1200V			
Number of Ports				1			
<b>Mechanical &amp; Environmental</b>							
Operating Temperature Range	$T_a$	-40 °F to +158 °F [-40 °C to +70 °C]					
Permissible Operating Humidity	RH	5%...95%					
Atmospheric pressure and altitude		80k Pa ... 106k Pa / -500 m ... 2000 m					
Terminal Screw Torque	$M_{max}$	39.9 lbf-in [4.5Nm]					
Conductor Cross Section (max)		2 AWG (Solid, Stranded) / 4 AWG (Flexible) 35 mm <sup>2</sup> (Solid, Stranded) / 25 mm <sup>2</sup> (Flexible)					
Mounting		35 mm DIN Rail, EN 60715					
Degree of Protection		IP 20 (built-in)					
Housing Material		Thermoplastic: Extinguishing Degree UL 94 V-0					
Thermal Protection		Yes					
Operating State / Fault Indication		Green ok / Red defect					
Remote Contacts (RC)		Optional					
RC Switching Capacity		AC: 250V/0.5 A; DC: 250V/0.1 A; 125V/0.2 A; 75V/0.5 A					
RC Conductor Cross Section (max)		16 AWG (Solid) / 1.5 mm <sup>2</sup> (Solid)					
<b>Order Information</b>							
Ordering Code	75	150	275	320	385	440	
SLP20-XXX/1+1	2007513	2015013	2027513	2032013	2038513	2044013	
SLP20-XXX/1S+1 (with remote contacts)	2007514	2015014	2027514	2032014	2038514	2044014	
SLP20-XXX/0 (spare modules)	2007501	2015001	2027501	2032001	2038501	2044001	
SLP20-255/0 (spare modules)	2025501	2025501	2025501	2025501	2025501	2025501	

## SLP20-XXX/1(S)+1

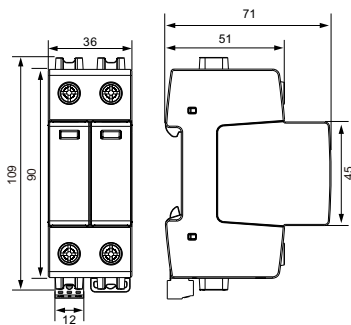
### Internal Configuration

#### Legend

- L Line
- N Neutral
- ⊕/PE Protective Earth
- S Signalling Contacts Optional



### Dimensions & Packaging

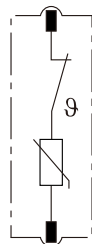


#### Dimensions & Packaging

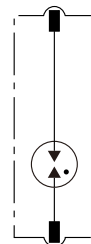
SLP20-XXX/1(S)+1	75	150	275	320	385	440
Single Unit DIN 43880 Dimension	1 CTN					
Packaging Dimensions (HxWxL)	[270 x 230 x 330 mm]					
Minimum Order Quantity	42 Units					

### Plug Internal Configuration

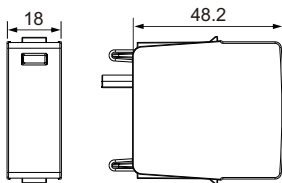
#### SLP20-XXX/0



#### SLP20-255/0



### Dimensions & Packaging

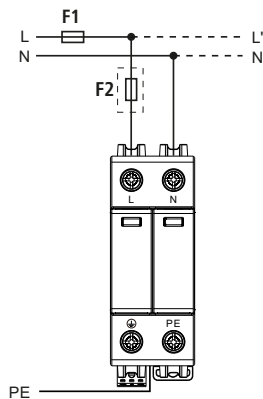


#### Dimensions & Packaging

SLP20-XXX/0	75	150	275	320	385	440
SLP20-255/0	255					
Single Unit DIN 43880 Dimension	1 CTN					
Packaging Dimensions (HxWxL)	[270 x 230 x 330 mm]					
Minimum Order Quantity	96 Units					

### Connection Diagram

#### TN-S,TT (Single-phase, 1+1)



[mm]

# Pluggable Multi-Pole SPD SLP20-XXX/3(S)+1

Class I • Class III • Type 2 • Type 3



Location of Use: Sub-Distribution Boards  
 Network Systems: TT, TN-S  
 Mode of Protection: L-N, N-PE  
 Surge Ratings:  $I_n = 10\text{ kA}$  (8/20  $\mu\text{s}$ )  
 IEC/EN Category: Class II+III / Type 2+3  
 Protective Elements: High Energy MOV and GDT  
 Housing: Pluggable Design  
 Compliance: IEC 61643-11:2011  
 EN 61643-11:2012

## Technical Data

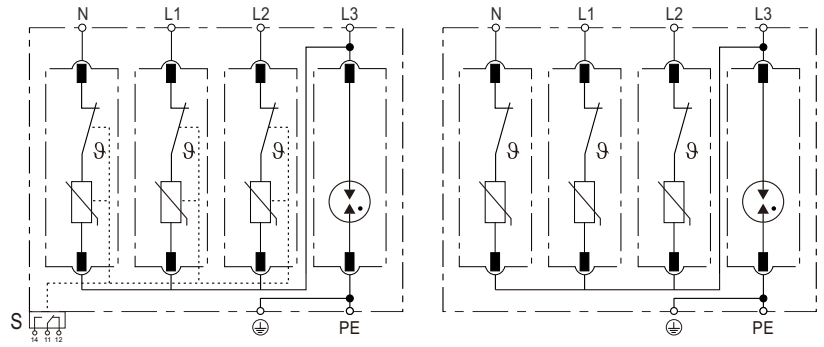
SLP20-XXX/3(S)+1	150	275	320	385	440	
<b>IEC Electrical</b>						
Nominal AC Voltage (50/60Hz)	120 V	230 V	230 V	230 V	400 V	
Maximum Continuous Operating Voltage	(L - N) $U_c$ (N - PE) $U_c$	150 V	275 V	320 V 255 V	385 V	440 V
Nominal Discharge Current (8/20 $\mu\text{s}$ )	(L - N) / (N - PE) $I_n$			10 kA / 10 kA		
Maximum Discharge Current (8/20 $\mu\text{s}$ )	(L - N) / (N - PE) $I_{max}$			20 kA / 20 kA		
Open circuit voltage (1.2/50 $\mu\text{s}$ )	$U_{oc}$			20 kV		
Voltage Protection Level	(L - N) / (N - PE) $U_p$	0.6kV / 1.0kV	1.2kV / 1.0kV	1.4kV / 1.0kV	1.6kV / 1.0kV	1.8kV / 1.0kV
Follow Current Interrupt Rating	(N-PE) $I_{fi}$			100A <sub>RMS</sub>		
Residual Current at $U_c$	$I_{PE}$			none		
Response Time	(L-N)/(N-PE) $t_A$			< 25 ns / < 100 ns		
Back-Up Fuse (max)				63 A gL / gG		
Short-Circuit Current Rating (AC)	(L - N) $I_{SCCR}$			10 kA		
TOV Withstand 5s	(L - N) $U_T$	180V	335V	335V	335V	580V
TOV 120min	(L - N) $U_T$	230V	440V	440V	440V	765V
	mode Withstand		Safe Fail	Safe Fail	Safe Fail	Safe Fail
TOV Withstand 200ms	(N-PE) $U_T$			1200V		
Number of Ports				1		
<b>Mechanical &amp; Environmental</b>						
Operating Temperature Range	$T_a$	-40 °F to +158 °F [-40 °C to +70 °C]				
Permissible Operating Humidity	RH	5%...95%				
Atmospheric pressure and altitude		80k Pa ... 106k Pa / -500 m ... 2000 m				
Terminal Screw Torque	$M_{max}$	39.9 lbf-in [4.5 Nm]				
Conductor Cross Section (max)		2 AWG (Solid, Stranded) / 4 AWG (Flexible) 35 mm <sup>2</sup> (Solid, Stranded) / 25 mm <sup>2</sup> (Flexible)				
Mounting		35 mm DIN Rail, EN 60715				
Degree of Protection		IP 20 (built-in)				
Housing Material		Thermoplastic: Extinguishing Degree UL 94 V-0				
Thermal Protection		Yes				
Operating State / Fault Indication		Green ok / Red defect				
Remote Contacts (RC)		Optional				
RC Switching Capacity		AC: 250V/0.5 A; DC: 250V/0.1 A; 125V/0.2 A; 75V/0.5 A				
RC Conductor Cross Section (max)		16 AWG (Solid) / 1.5 mm <sup>2</sup> (Solid)				
<b>Order Information</b>						
Ordering Code	150	275	320	385	440	
SLP20-XXX/3+1	2015033	2027533	2032033	2038533	2044033	
SLP20-XXX/3S+1 (with remote contacts)	2015034	2027534	2032034	2038534	2044034	
SLP20-XXX/0 (spare modules)	2015001	2027501	2032001	2038501	2044001	
SLP20-255/0 (spare modules)	2025501	2025501	2025501	2025501	2025501	

# SLP20-XXX/3(S)+1

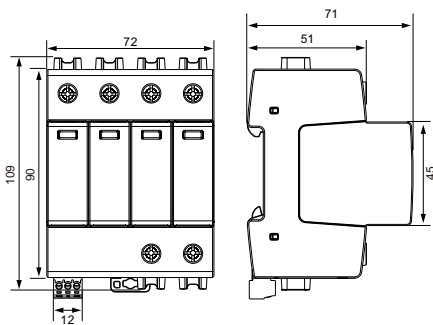
## Internal Configuration

### Legend

- L Line
- N Neutral
- ⊕/PE Protective Earth
- S Signalling Contacts Optional



## Dimensions & Packaging

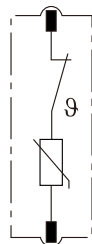


### Dimensions & Packaging

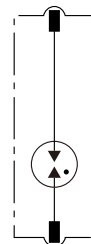
SLP20-XXX/3(S)+1	150	275	320	385	440
Single Unit DIN 43880 Dimension	1 CTN				
Packaging Dimensions (HxWxL)	[270 × 230 × 330 mm]				
Minimum Order Quantity	24 Units				

## Plug Internal Configuration

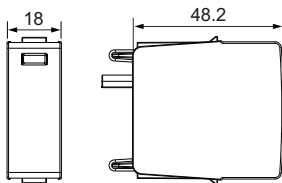
### SLP20-XXX/0



### SLP20-255/0



## Dimensions & Packaging

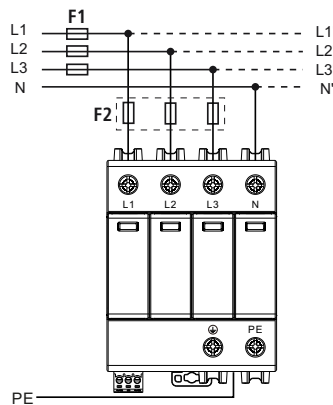


### Dimensions & Packaging

SLP20-XXX/0	150	275	320	385	440
SLP20-255/0	255				
Single Unit DIN 43880 Dimension	1 CTN				
Packaging Dimensions (HxWxL)	[270 × 230 × 330 mm]				
Minimum Order Quantity	96 Units				

## Connection Diagram

### TN-S, TT (Three-phase, 3+1)



[mm]