

# Pluggable Multi-Pole SPD for DC Power Systems

## SLP40-DCXXX/2(S)

Class II • Type 2



Location of Use: String box, Inverter  
 Mode of Protection: (DC+/-) - PE, (DC-/-) - PE  
 Surge Ratings:  $I_n = 20\text{ kA}$  (8/20 $\mu\text{s}$ )  
 $I_{\text{Total}} = \text{up to } 40\text{ kA}$  (8/20 $\mu\text{s}$ )  
 IEC/EN Category: Class II / Type 2  
 Protective Elements: High Energy MOV  
 Housing: Pluggable Design  
 Compliance: IEC 61643-11:2011  
 EN 61643-11:2012  
 EN 50539-11:2013

### Technical Data

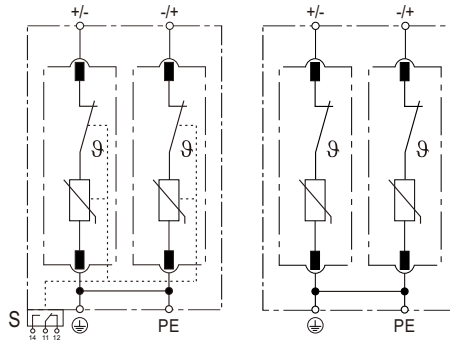
SLP40-DCXXX/2(S)		65	85	100	125	150	180	275	350	460
<b>IEC Electrical</b>										
Rated Operational DC Voltage	$U_o/U_n$	48V	65V	75V	95V	115V	150V	210V	275V	350V
Maximum Continuous Operating DC Voltage (DC+) - PE, (DC-) - PE	$U_c$	65V	85V	100V	125V	150V	180V	275V	350V	460V
Nominal Discharge Current (8/20 $\mu\text{s}$ )	$I_n$	20 kA								
Total Discharge Current (8/20 $\mu\text{s}$ )	$I_{\text{Total}}$	40 kA								
Maximum Discharge Current (8/20 $\mu\text{s}$ )	$I_{\text{max}}$	40 kA								
Voltage Protection Level (DC+) - PE, (DC-) - PE	$U_p$	300V	450V	550V	600V	800V	900V	1000V	1500V	1800V
Residual Current at $U_c$	$I_{\text{PE}}$	< 0,5 mA								
Response Time	$t_A$	< 25 ns								
Number of Ports		1								
<b>Mechanical &amp; Environmental</b>										
Operating Temperature Range	$T_a$	-40 °F to +158 °F [-40 °C to +70 °C]								
Permissible Operating Humidity	RH	5%...95%								
Atmospheric pressure and altitude		80k Pa ... 106k Pa / -500 m ... 2000 m								
Terminal Screw Torque	$M_{\text{max}}$	39.9 lbf-in [4.5 Nm]								
Conductor Cross Section (max)		2 AWG (Solid, Stranded) / 4 AWG (Flexible) 35 mm <sup>2</sup> (Solid, Stranded) / 25 mm <sup>2</sup> (Flexible)								
Mounting		35 mm DIN Rail, EN 60715								
Degree Of Protection		IP 20 (built-in)								
Housing Material		Thermoplastic: Extinguishing Degree UL 94 V-0								
Thermal Protection		Yes								
Operating State / Fault Indication		Green ok / Red defect								
Remote Contacts (RC)		Optional								
RC Switching Capacity		AC: 250V/0.5 A; DC: 250V/0.1 A; 125V/0.2 A; 75V/0.5 A								
RC Conductor Cross Section (max)		16 AWG (Solid) / 1.5 mm <sup>2</sup> (Solid)								
<b>Order Information</b>										
Ordering Code		65	85	100	125	150	180	275	350	460
SLP40-DCXXX/2		4006521	4008521	4010021	4012521	4015025	4018021	4027525	4035021	4046021
SLP40-DCXXX/2S (with remote contacts)		4006522	4008522	4010022	4012522	4015026	4018022	4027526	4035022	4046022
SLP40-DCXXX/0 (spare modules)		4006502	4008502	4010002	4012502	4015002	4018002	4027502	4035002	4046002

## SLP40-DCXXX/2(S)

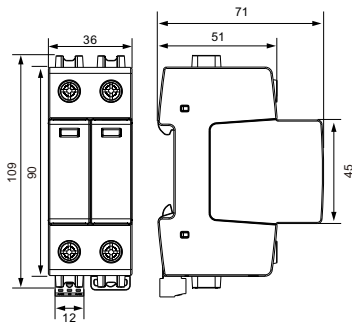
### Internal Configuration

#### Legend

- ⊕/PE Protective Earth
- S Signalling Contacts Optional



### Dimensions & Packaging

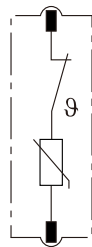


#### Dimensions & Packaging

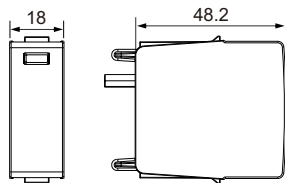
SLP40-DCXXX/2(S)	65	85	100	125	150	180	275	350	460
Single Unit DIN 43880 Dimension	1 CTN								
Packaging Dimensions (HxWxL)	[270 × 230 × 330 mm]								
Minimum Order Quantity	42 Units								

### Plug Internal Configuration

#### SLP40-DCXXX/0



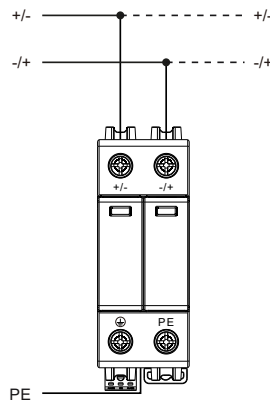
### Dimensions & Packaging



#### Dimensions & Packaging

SLP40-DCXXX/0	65	85	100	125	150	180	275	350	460
Single Unit DIN 43880 Dimension	1 CTN								
Packaging Dimensions (HxWxL)	[270 × 230 × 330 mm]								
Minimum Order Quantity	96 Units								

### Connection Diagram



[mm]