

Pluggable Multi-Pole SPD for DC Power Systems

SLP20-DCXXX/2(S)

Class II • Type 2



Location of Use: String box, Inverter
 Mode of Protection: (DC+/-) - PE, (DC-/-) - PE
 Surge Ratings: $I_n = 10\text{kA}-15\text{kA}$ (8/20 μs)
 $I_{\text{Total}} = \text{up to } 20\text{kA}$ (8/20 μs)
 IEC/EN Category: Class II / Type 2
 Protective Elements: High Energy MOV
 Housing: Pluggable Design
 Compliance: IEC 61643-11:2011
 EN 61643-11:2012
 EN 50539-11:2013

Technical Data

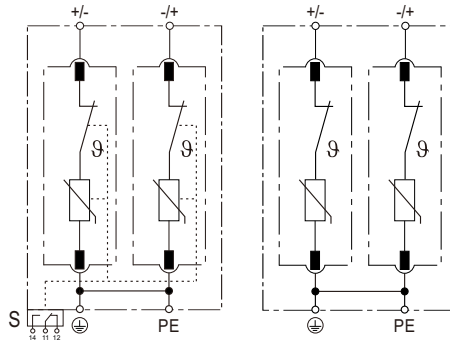
SLP20-DCXXX/2(S)	24	38	65	
IEC Electrical				
Rated Operational DC Voltage	U_o/U_n	12 V	24 V	48 V
Maximum Continuous Operating DC Voltage (DC+) - PE, (DC-) - PE	U_c	24 V	38 V	65 V
Nominal Discharge Current (8/20 μs)	I_n	10 kA	10 kA	15 kA
Total Discharge Current (8/20 μs)	I_{Total}		20 kA	
Maximum Discharge Current (8/20 μs)	I_{max}		20 kA	
Voltage Protection Level (DC+) - PE, (DC-) - PE	U_p	250 V	250 V	300 V
Residual Current at U_c	I_{PE}		< 0,5 mA	
Response Time	t_A		< 25 ns	
Number of Ports			1	
Mechanical & Environmental				
Operating Temperature Range	T_a	-40 °F to +158 °F [-40 °C to +70 °C]		
Permissible Operating Humidity	RH	5%...95%		
Atmospheric pressure and altitude		80k Pa ... 106k Pa / -500 m ... 2000 m		
Terminal Screw Torque	M_{max}	39.9 lbf-in [4.5 Nm]		
Conductor Cross Section (max)		2 AWG (Solid, Stranded) / 4 AWG (Flexible) 35 mm ² (Solid, Stranded) / 25 mm ² (Flexible)		
Mounting		35 mm DIN Rail, EN 60715		
Degree Of Protection		IP 20 (built-in)		
Housing Material		Thermoplastic: Extinguishing Degree UL 94 V-0		
Thermal Protection		Yes		
Operating State / Fault Indication		Green ok / Red defect		
Remote Contacts (RC)		Optional		
RC Switching Capacity		AC: 250V/0.5 A; DC: 250V/0.1 A; 125V/0.2 A; 75V/0.5 A		
RC Conductor Cross Section (max)		16 AWG (Solid) / 1.5 mm ² (Solid)		
Order Information				
Ordering Code	24	38	65	
SLP20-DCXXX/2	2002421	2003821	2006521	
SLP20-DCXXX/2S (with remote contacts)	2002422	2003822	2006522	
SLP20-DCXXX/0 (spare modules)	2002402	2003802	2006502	

SLP20-DCXXX/2(S)

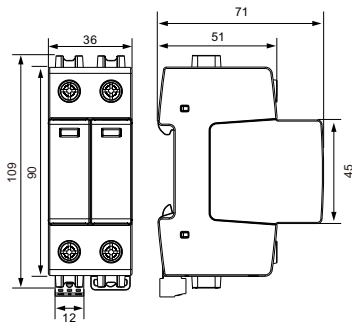
Internal Configuration

Legend

- ⊕/PE Protective Earth
- S Signalling Contacts Optional



Dimensions & Packaging

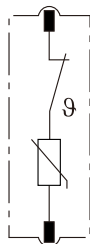


Dimensions & Packaging

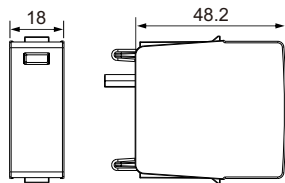
SLP20-DCXXX/2(S)	24	38	65
Single Unit DIN 43880 Dimension	1 CTN		
Packaging Dimensions (HxWxL)	[270 x 230 x 330 mm]		
Minimum Order Quantity	42 Units		

Plug Internal Configuration

SLP20-DCXXX/0



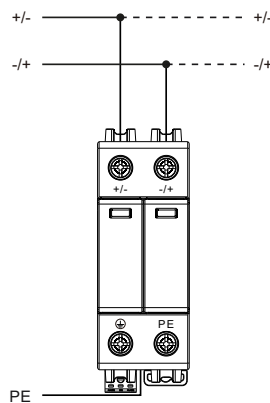
Dimensions & Packaging



Dimensions & Packaging

SLP20-DCXXX/0	24	38	65
Single Unit DIN 43880 Dimension	1 CTN		
Packaging Dimensions (HxWxL)	[270 x 230 x 330 mm]		
Minimum Order Quantity	96 Units		

Connection Diagram



[mm]