

# Pluggable Multi-Pole SPD for Photovoltaic Systems

## SLP-PVXXX-(S)

Class II • Type 2



Location of Use: String box, Inverter  
 Mode of Protection: (DC+) - PE, (DC-) - PE, (DC+) - (DC-)  
 Surge Ratings:  $I_n = 20\text{ kA}$  (8/20  $\mu\text{s}$ )  
 $I_{\text{Total}} = \text{up to } 40\text{ kA}$  (8/20  $\mu\text{s}$ )  
 IEC/EN Category: Class II / Type 2  
 Protective Elements: High Energy MOV  
 Housing: Pluggable Design  
 Compliance: IEC 61643-31:2018  
 EN 50539-11:2013+A1:2014

### Technical Data

| SLP-PVXXX-(S)                                   |                        | 600                | 1000   | 1200     | 1500    |        |
|---|------------------------|--------------------|--|----------|---------|--------|
| <b>IEC Electrical</b>                           |                        |                    |  |          |         |        |
| Maximum Continuous Operating DC Voltage         | (DC+) - PE, (DC-) - PE | $U_{\text{CPV}}$   | 600 V  | 1000 V   | 1200 V  | 1500 V |
|   | (DC+) - (DC-)          | $U_{\text{CPV}}$   | -  | 1000 V   | 1200 V  | 1500 V |
| Nominal Discharge Current (8/20 $\mu\text{s}$ ) |                        | $I_n$              |  | 20 kA    |         |        |
| Total Discharge Current (8/20 $\mu\text{s}$ )   |                        | $I_{\text{Total}}$ |  | 40 kA    |         |        |
| Maximum Discharge Current (8/20 $\mu\text{s}$ ) |                        | $I_{\text{max}}$   |  | 40 kA    |         |        |
| Voltage Protection Level                        | (DC+) - PE, (DC-) - PE | $U_p$              | 2200 V   | 4000 V   | 4400 V  | 5200 V |
|   | (DC+) - (DC-)          | $U_p$              | -  | 4000 V   | 4400 V  | 5200 V |
| Residual Current at $U_c$                       |                        | $I_{\text{PE}}$    |  | < 0,5 mA |         |        |
| Response Time                                   |                        | $t_A$              |  | < 25 ns  |         |        |
| Short-Circuit Current Rating                    |                        | $I_{\text{SCPV}}$  |  | 2000 A   |         |        |
| Number of Ports                                 |                        |                    |  | 1        |         |        |
| <b>Mechanical &amp; Environmental</b>           |                        |                    |  |          |         |        |
| Operating Temperature Range                     |                        | $T_a$              | -40 °F to +158 °F [-40 °C to +70 °C]                                 |          |         |        |
| Permissible Operating Humidity                  |                        | RH                 | 5%...95%   |          |         |        |
| Atmospheric pressure and altitude               |                        |                    | 80k Pa ... 106k Pa / -500 m ... 2000 m                               |          |         |        |
| Terminal Screw Torque                           |                        | $M_{\text{max}}$   | 39.9 lbf-in [4.5 Nm]   |          |         |        |
| Conductor Cross Section (max)                   |                        |                    | 2 AWG (Solid, Stranded) / 4 AWG (Flexible)                           |          |         |        |
|   |                        |                    | 35 mm <sup>2</sup> (Solid, Stranded) / 25 mm <sup>2</sup> (Flexible) |          |         |        |
| Mounting  |                        |                    | 35 mm DIN Rail, EN 60715   |          |         |        |
| Degree Of Protection                            |                        |                    | IP 20 (built-in)   |          |         |        |
| Housing Material                                |                        |                    | Thermoplastic: Extinguishing Degree UL 94 V-0                        |          |         |        |
| Thermal Protection                              |                        |                    | Yes  |          |         |        |
| Operating State / Fault Indication              |                        |                    | Green ok / Red defect  |          |         |        |
| Remote Contacts (RC)                            |                        |                    | Optional   |          |         |        |
| RC Switching Capacity                           |                        |                    | AC: 250V/0.5 A; DC: 250V/0.1 A; 125V/0.2 A; 75V/0.5 A                |          |         |        |
| RC Conductor Cross Section (max)                |                        |                    | 16 AWG (Solid) / 1.5 mm <sup>2</sup> (Solid)                         |          |         |        |
| <b>Order Information</b>                        |                        |                    |  |          |         |        |
| Ordering Code                                   |                        | 600                | 1000   | 1200     | 1500    |        |
| SLP-PVXXX                                       |                        | 4060025            | 4010235  | 4012231  | 4015231 |        |
| SLP-PVXXX-(S) (with remote contacts)            |                        | 4060026            | 4010236  | 4012232  | 4015232 |        |
| SLP-PVXXX/0 (spare modules)                     |                        | 4060002            | 4010202  | 4012202  | 4015202 |        |

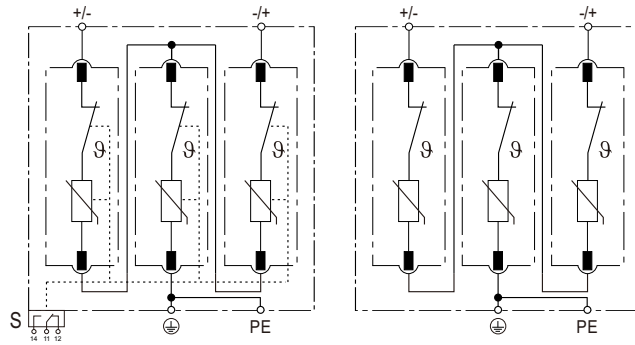
## SLP-PVXXX-(S)

### Internal Configuration

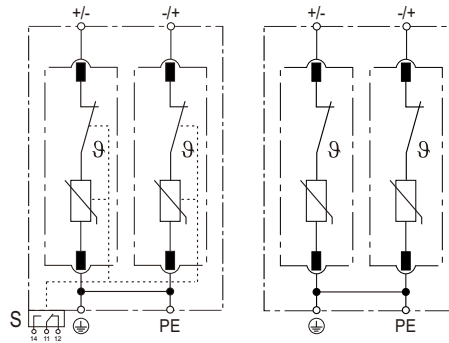
#### Legend

- ⊕/PE Protective Earth
- S Signalling Contacts Optional

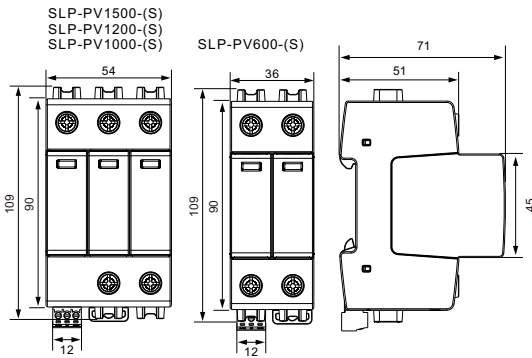
### SLP-PV1000-(S), SLP-PV1200-(S), SLP-PV1500-(S)



### SLP-PV600-(S)



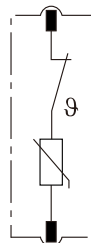
### Dimensions & Packaging



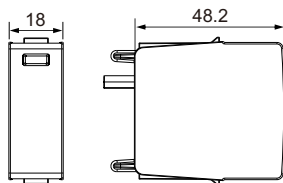
### Plug Internal Configuration

| Dimensions & Packaging          |                      |          |          |          |
|---------------------------------|----------------------|----------|----------|----------|
| SLP-PVXXX-(S)                   | 600                  | 1000     | 1200     | 1500     |
| Single Unit DIN 43880 Dimension | 1 CTN                |          |          |          |
| Packaging Dimensions (HxWxL)    | [270 × 230 × 330 mm] |          |          |          |
| Minimum Order Quantity          | 42 Units             | 30 Units | 30 Units | 30 Units |

### SLP-PVXXX/0



### Dimensions & Packaging



| Dimensions & Packaging          |                      |      |      |      |
|---------------------------------|----------------------|------|------|------|
| SLP-PVXXX/0                     | 600                  | 1000 | 1200 | 1500 |
| Single Unit DIN 43880 Dimension | 1 CTN                |      |      |      |
| Packaging Dimensions (HxWxL)    | [270 × 230 × 330 mm] |      |      |      |
| Minimum Order Quantity          | 96 Units             |      |      |      |

[mm]

